

## Features

- Included with the K-5282-NA Strive kitchen sink.
- Helps protect sink surface from daily wear.
- Dishwasher-safe.
- Rubber feet provide added protection.

## Material

- Durable stainless steel construction.

## Recommended Products/Accessories

- K-5282 Undermount extra large/medium bowl kitchen sink
- K-23729 Stainless steel cleaner



## Codes/Standards


None Applicable

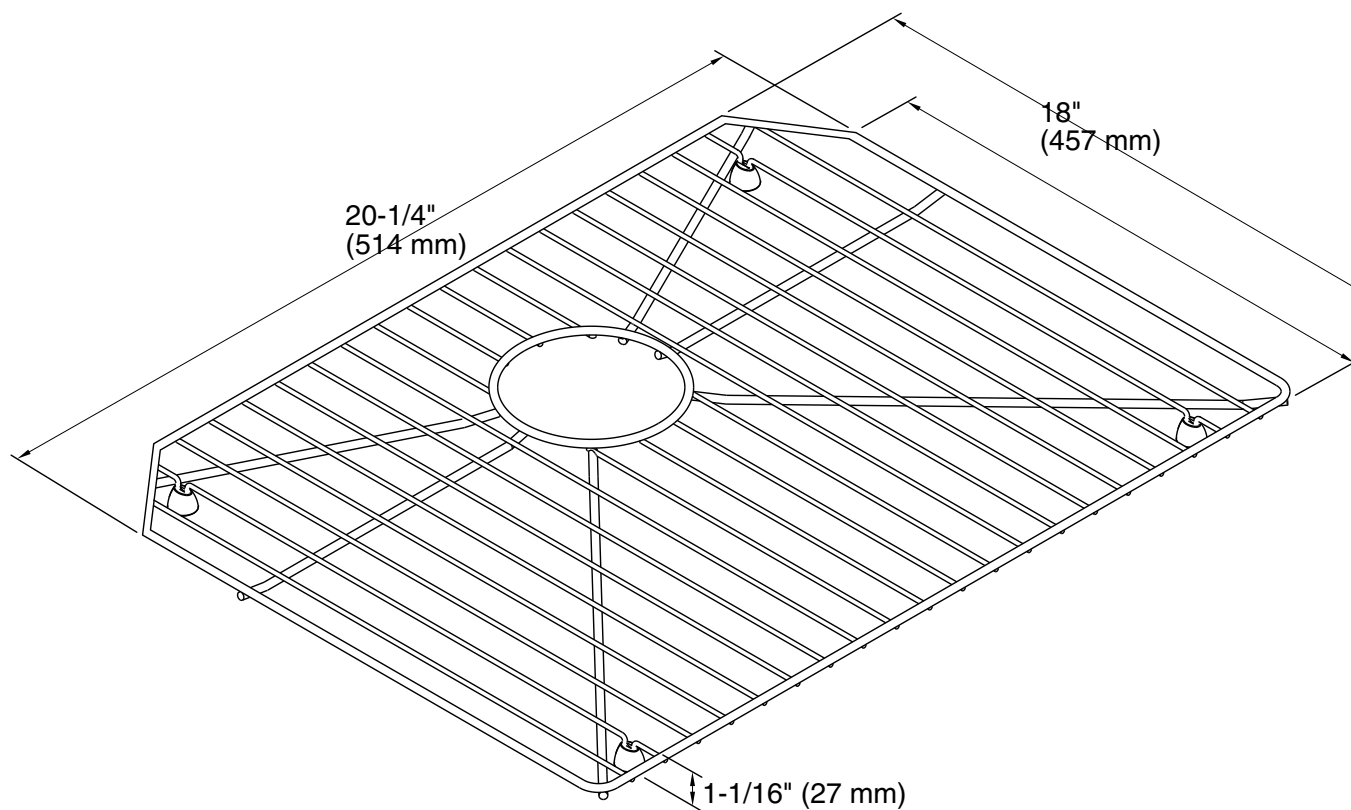
## KOHLER® One-Year Limited Warranty

See website for detailed warranty information.

## Available Colors/Finishes

*Color tiles intended for reference only.*

Color	Code	Description
	ST	Stainless Steel



## Technical Information

All product dimensions are nominal.

Material:               Stainless Steel